



2-year warranty

Type overview

| | |
|-------------|-----------|
| Type | DN |
| ZONE215S-10 | 15 |

Technical data

| | | |
|---------------------------|--------------------------------|--|
| Functional data | Valve size [mm] | 0.5" [15] |
| | Fluid | chilled or hot water, up to 50% glycol |
| | Fluid Temp Range (water) | 32...212°F [0...100°C] |
| | Body Pressure Rating | 300 psi |
| | Close-off pressure Δps | 75 psi |
| | Flow characteristic | on/off |
| | Flow Pattern | 2-way |
| | Leakage rate | ANSI Class III 0.1% |
| | Cv | 1 |
| Materials | Valve body | forged brass |
| | Housing seal | EPDM |
| | Spindle | stainless steel |
| | Seat | EPDM |
| | Pipe connection | sweat |
| Suitable actuators | Spring | ZONE |

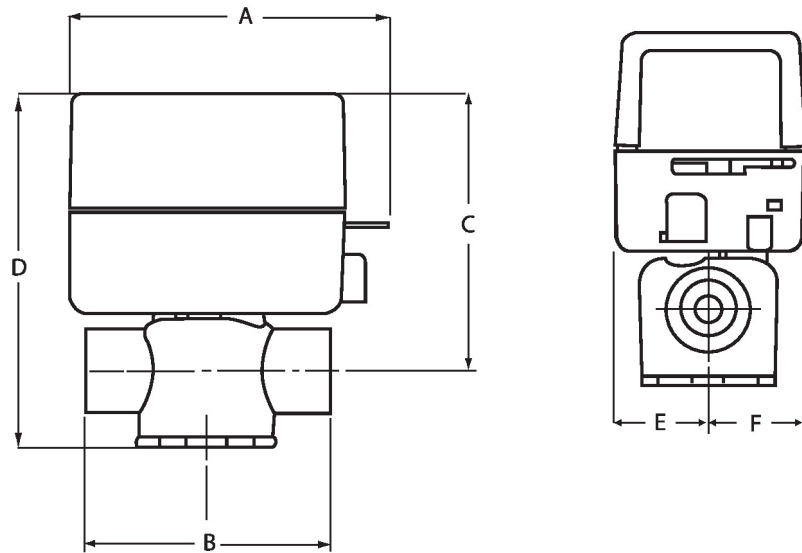
Product features

Application This valve is typically used on fan coil units, baseboards or other hydronic applications where fail safe operation on 2-wire control is required. This valve is suitable for use in a hydronic system with variable or constant flow.

This valve is designed to fit in compact areas where on/off or control is required using 24 VAC or 120 VAC.

Dimensions

| | |
|-------------|-----------|
| Type | DN |
| ZONE215S-10 | 15 |



| A | B | C | D | E | F |
|------------|-----------|-----------|------------|-----------|-----------|
| 4.0" [102] | 2.8" [70] | 3.5" [89] | 4.3" [110] | 1.2" [30] | 1.2" [31] |



2-year warranty


Technical data

| | | |
|------------------------|--------------------------------|-----------------------------|
| Electrical data | Nominal voltage | AC 120 V |
| | Nominal voltage frequency | 50/60 Hz |
| | Power consumption in operation | 6.5 W |
| | Transformer sizing | 7 VA (class 2 power source) |
| | Electrical Connection | 6" wire leads |
| Functional data | Manual override | hand lever |
| | Angle of rotation | 90° |
| | Running time fail-safe | <5 s Variable: 2.5...10 s |
| | Noise level, motor | 35 dB(A) |
| | Noise level, fail-safe | 35 dB(A) |
| | Position indication | Mechanically (integrated) |
| Safety data | Degree of protection IEC/EN | IP20 |
| | Degree of protection NEMA/UL | NEMA 1 |
| | Enclosure | UL Enclosure Type 1 |
| | Agency Listing | CE, cULus |
| | Quality Standard | ISO 9001 |
| | Ambient temperature | 32...104 [0...40°C] |
| | Storage temperature | -40...176°F [-40...80°C] |
| | Ambient humidity | Max. 95% RH, non-condensing |
| | Servicing | maintenance-free |
| Materials | Housing material | galvanized steel |

Electrical installation
INSTALLATION NOTES

- Meets cULus requirements without the need of an electrical ground connection.
- One built-in auxiliary switch, 1x SPST 0.4A @ 24 VAC (resistive and inductive loads).

Wiring diagrams

Built-in Auxiliary Switch (optional) (only on -S models)

